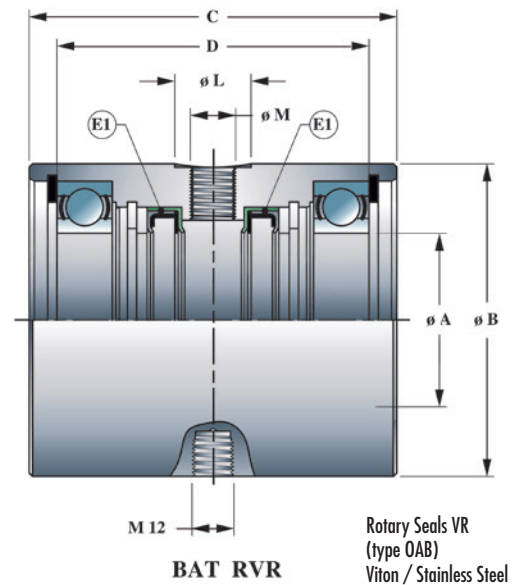
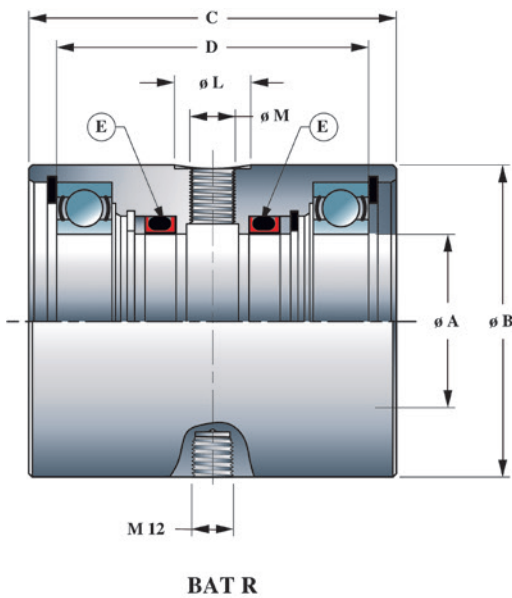


TECHNICAL FEATURES

REFERENCE	BAT RK or BAT RKVR (Nickel Plated Steel) BAT RI or BAT RIVR : stainless steel
DIMENSIONS	Ø 20 à 100 mm*
MATERIAL	K : nickel plated steel I : stainless steel 316 L
THREAD	Female connection right-hand (BSPP)
PRESSURE	BAT RK : 0 to 400 bar BAT RI : 0 to 200 bar BAT R - BAT RK - BAT RI : slow rotation depending on shaft diameter and pressure BAT RKVR - BAT RIVR : Rotation 0 to 3000 r.p.m. following Ø shaft - Maximum pressure : 12 bar
TEMPERATURE	120° C max.
ROTATION	Montage sur arbre creux
APPLICATION	Mounting on hollow shaft
OBSERVATIONS	For any shaft diameter bigger than 100 mm, consult our factory
CONNECTION	With hoses
USE	Oil, air, gas, water



BAT R - BAT RVR

Ref.	BAT 20 R K / I	BAT 30 R K / I	BAT 40 R K / I	BAT 45 R K / I	BAT 50 R K / I	BAT 55 R K / I	BAT 60 R K / I	BAT 65 R K / I	BAT 70 R K / I	BAT 75 R K / I	BAT 80 R K / I	BAT 85 R K / I	BAT 90 R K / I	BAT 95 R K / I	BAT 100 R K / I	
Dimensions	Ø A	20	30	40	45	50	55	60	65	70	75	80	85	90	95	100
	Ø B	55	65	75	85	90	100	105	110	120	125	135	140	150	155	160
	C	89	91	100	104	106	119	121	123	127	134	138	140	142	147	153
	D	77	77	86	90	90	103	105	107	107	114	118	120	122	127	129
	Ø L	22	22	22	22	22	32	32	32	32	32	32	32	32	32	32
	Ø M Gaz	1/4"	1/4"	1/4"	1/4"	1/4"	1/2"	1/2"	1/2"	1/2"	1/2"	1/2"	1/2"	1/2"	1/2"	1/2"
	E	GR20V	GR30V	GR40V	GR45V	GR50V	GR55V	GR60V	GR65V	GR70V	GR75V	GR80V	GR85V	GR90V	GR95V	GR100V
	E1	OAB20	OAB30	OAB40	OAB45	OAB50	OAB55	OAB60	OAB65	OAB70	OAB75	OAB80	OAB85	OAB90	OAB95	OAB100

For all non-standard model, please contact us - 2 rotary seals E per unit